

General information

PWS5720230413

The DAT 500 weight transmitter guarantees high performance and long-term reliability. It is equipped with several optionals: upload and download functions for programming with TESTER 1008, the connection can occur through the external converter and configuration and calibration can be done either from the front panel or from a PC. The weight transmitter DAT 500 has a Peak Hold function for dynamic weighings and screw terminal blocks.



Software Innovation 2: [inovation_2_weighing_software.zip](#)

Technical Manual: [dat-500_en.pdf](#)

Technical Manual: [dat-500_analog_en.pdf](#)

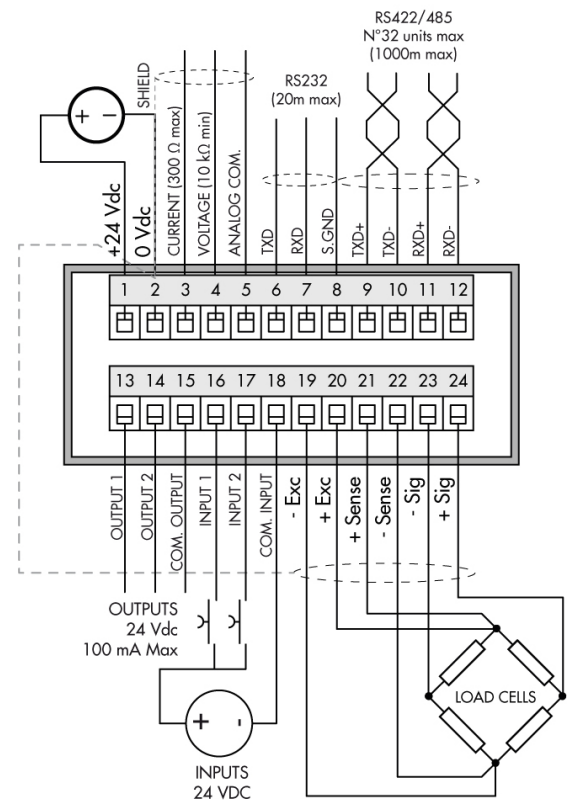
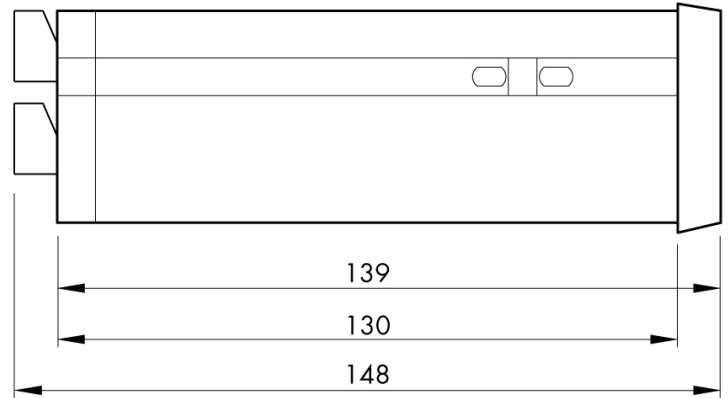
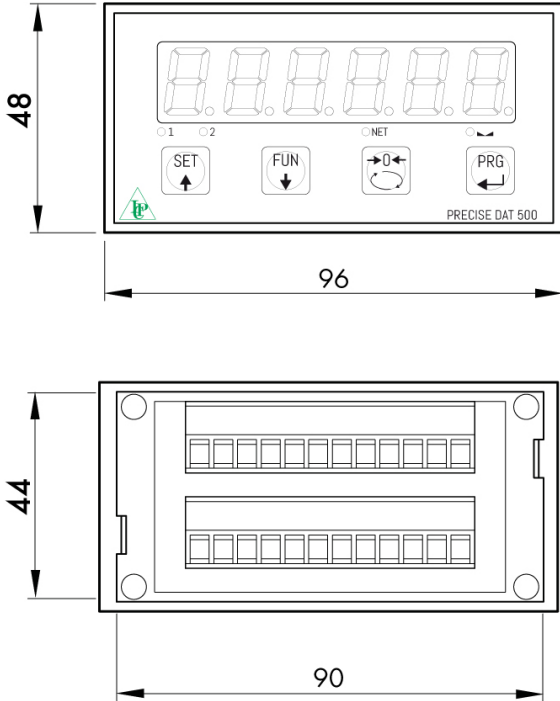
All indicated data may be changed without notice.
All the measures indicated are expressed in millimeters (mm).

Technical specifications

PWS5720230413

Measuring range:	-0.5÷+3.5 mV/V (-3.9÷+3.9 mV/V optional)
Input sensitivity:	0.02 µV/count
Full scale non-Linearity:	< 0.01%
Gain drift:	<0.001% FS/°C
Display:	6 digit, red LED (7 segments), h 14 mm
A/D Converter:	24 bit
Internal Resolution:	> 16.000.000 points
Transducer input voltage:	5 V (max 6 load cells 350 Ohm)
Visible resolution (in divisions):	60000
Divisions value (adjustable):	x1, x2, x5
Decimal figures range:	0 ÷ 3
Temperature range:	-10 ÷ +50°C (max umidity 85% without condensation)
Storage temperature:	-20 ÷ +70 °C
Filter:	0.1 ÷ 25 Hz
Logic output:	2 Solid-state relays, (maximum load 24 Vdc / 100 mA each)
Logic input:	2 optoisolated 24 V c.c. PNP (External voltage)
Serial port:	RS232C or RS422/RS485 with ASCII or Modbus RTU protocols
Power supply:	24 Vcc ±15% - power 5 W
Regulatory compliance:	EN61326-1, EN55011, EN55014 for EMC; EN61010-1 for electrical security
Dimensions and weight:	96 x 48 x 120 mm (L x H x D); 250 g
Baud rate:	2400, 9600, 19200, 38400, 115200 adjustable
Transmission distance:	15m (RS232C), 1000m (RS422; RS485)
Bipolar optional output:	±10V

All indicated data may be changed without notice.
 All the measures indicated are expressed in millimeters (mm).



All indicated data may be changed without notice.
 All the measures indicated are expressed in millimeters (mm).