

1. CI Series Digital Counter

Photos and Features



CI Series

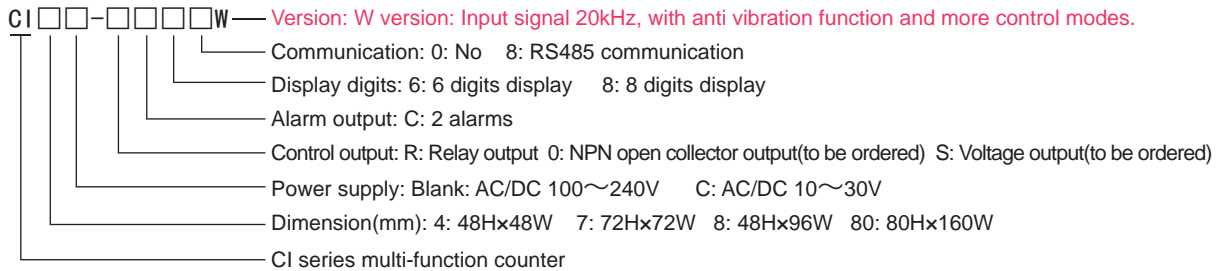


CI-W Series

Features:

- ★ Multi-function: number counting/length counting/ batch counting.
- ★ High speed counting, up to 10Kcps.
- ★ 1 loop batch output/ 2 loops counting output.
- ★ Voltage input (PNP) and non-voltage input (NPN) can be switched by software.
- ★ Adjustable pulse width of control signal.
- ★ Key Lock Function.
- ★ RS485 communication function selectable.
- ★ Excellent anti-interference capability.

Model Illustration



Ordering Information

Model	Panel Size(mm)	Output Mode	Output	Display	Batch output	Communication	Code				
CI80-RC60	80Hx160W	Relay output	2 loops	6 digits	1 loop relay	No	B0380CI01				
CI80-RC68	80Hx160W					RS485	B0510CI01				
CI8-RC60	48Hx96W					No	B0380CI01				
CI8-RC68	48Hx96W					RS485	B0510CI01				
CI7-RC60	72Hx72W					No	B0380CI01				
CI7-RC68	72Hx72W					RS485	B0510CI01				
CI4-RC60	48Hx48W					No	B0380CI01				
CI4-RC68	48Hx48W			RS485	B0510CI01						
CI8-RC80	48Hx96W			8 digits	1 loop relay	No	B0510CI01				
CI8-RC88	48Hx96W					RS485	B0620CI01				
CI7-RC80	72Hx72W					No	B0510CI01				
CI7-RC88	72Hx72W					RS485	B0620CI01				
CI80-RC60W	80Hx160W					Relay output	2 loops	6 digits	1 loop relay	No	B0425CI01
CI80-RC68W	80Hx160W									RS485	B0550CI01
CI8-RC60W	48Hx96W	No	B0425CI01								
CI8-RC68W	48Hx96W	RS485	B0550CI01								
CI7-RC60W	72Hx72W	No	B0425CI01								
CI7-RC68W	72Hx72W	RS485	B0550CI01								
CI4-RC60W	48Hx48W	No	B0425CI01								
CI4-RC68W	48Hx48W	RS485	B0550CI01								

Technical Specifications

Display	Display digits	Dual-line,6 digits,high light LED	Communication	Comm. Protocol	ModBUS RTU
	Display Range	-19999~999999		Baud Rate	4.8KBPS 9.6KBPS
Input Signal	Signal Type	Square wave, sine wave, passive contact		Address Range	1-247
	Input Impedance	Voltage input impedance is 5.4KΩ, Non-voltage input: short circuit impedance is max.1KΩ		Comm. Delay	No
	Signal Level	High Level:5-30VDC Low Level:0-2VDC	Power-Fail Memory	YES/NO	
			Function	Reset Pause Lock	Optional

Panel Meter

Sensor Indicator

Temperature Controller

Counter

Timer Relay

Tacho/Speed/ Pulse Meter

Recorder

Signal Isolator

Rotary Encoder

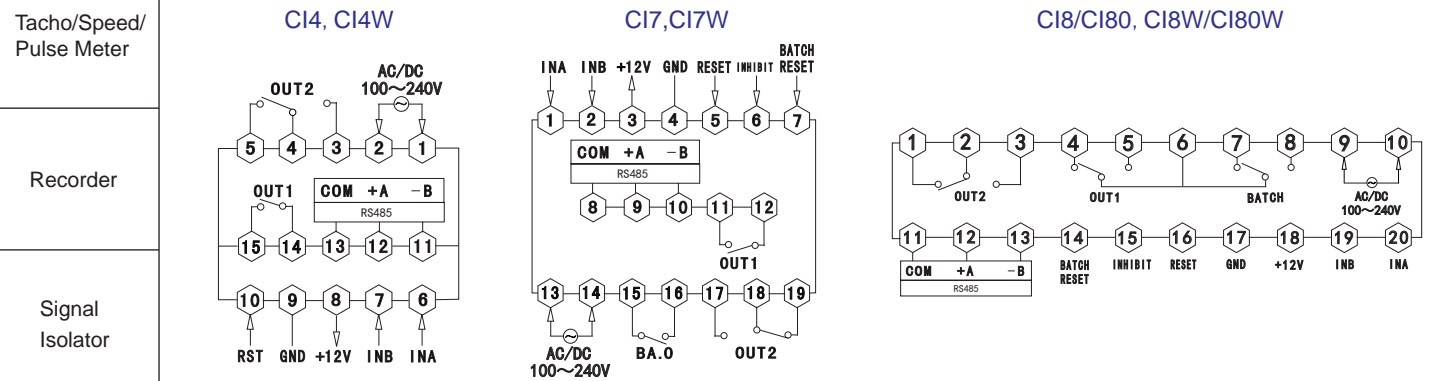
Proximity Sensor

Solid State Relay

Power Meter Introduction

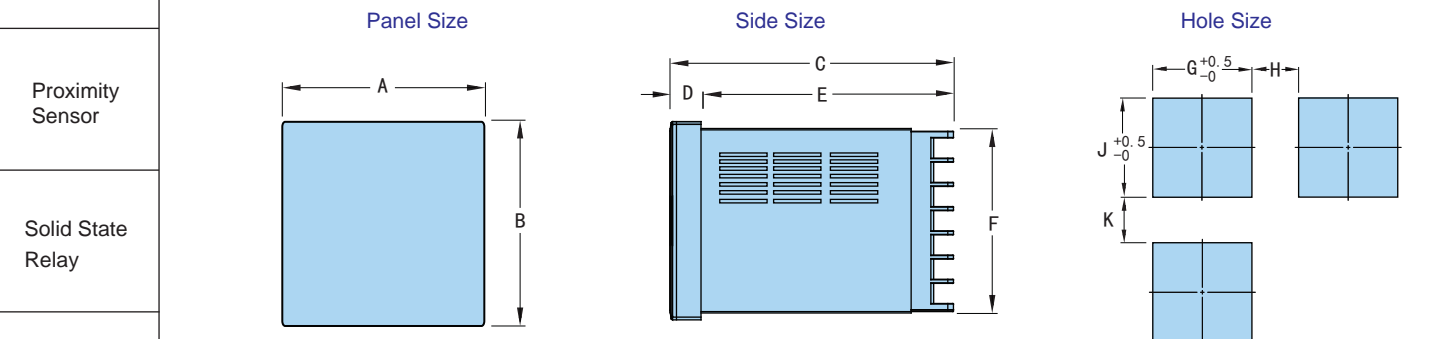
Panel Meter	Input Signal	Max Frequency	1Hz,30Hz,1KHz,5KHz,10KHz selectable	Power supply & consumption		100~240V AC/DC <5W
		Edge Trigger	NPN falling edge,PNP rising edge	Protection Class	Panel	IP 54
		Counting Accuracy	±1 pulse (more or less)		Housing	—
		Ratio Coefficient	0.00001~9.99999	Mechanical requirements	Screw torque	0.74n.m~0.9n.m
Relay	Load Capacity	>100,000 times (NO:250VAC 3A resistive load NC:250VAC 2A resistive load)	Installation size		Refer to the Dimensions	
	NO/NC guide	Refer to the connections	Installation Mode		Panel mounting	
	Mechanical Life	>10,000,000 times	Transportation requirements	Vibration, Stacking	Amplitude:0.75mm Frequency:10~55Hz 1h for each X,Y,Z directions	
Input mode	UP/DOWN counting	U UP counting/D DOWN counting		Min Pulse Width	Reset	1,20ms optional
	UP/DOWN counting control	UD-A UP/DOWN-A、UD-B UP/DOWN-B	Pause		1,20ms optional	
	Phase Difference Counting	Rotary Encoder Input	Output	Passive contactor output (to be ordered)	NPN open collector output (to be ordered)	
Output	Output Mode	12 kinds, F、N、C、R, etc.	Withstand Voltage	Dielectric Strength	2000V AC 50/60Hz 1 min	
	Delay Time	0.01~499.99s		Insulation Resistance	Min. 100MΩ (at500VDC)	
Counter	Auxiliary power supply	Supply Voltage	12VDC±10%	EMC Anti-interference capability	Static	3 class
		Capacity	<100mA		Group of Pulses	4 class each mode±4000VP-P
Timer Relay	Temp.	Woking Temp.	-10°C~50°C (Unfrozen)	Lightning surge	3 class wire to wire±2000V	
		Storage Temp.	-25°C~65°C (Unfrozen)		Frequency Drop	3 class
		Environment RH	35-85%RH			

■ Connection



Note: if there is any change, please subject to the connection on the meter.

■ Dimensions (Unit: mm)



Model	A	B	C	D	E	F	G	H(Min)	J	K(Min)
4:(48*48)	48	48	97.5	6.5	91	45	45.5	25	45.5	25
7:(72*72)	72	72	97.5	9	88.5	67	67.5	25	67.5	25
8:(48*96)	96	48	97.5	9	88.5	44.5	92	25	45	25
80:(80*160)	160	80	96	13	83	155	76	30	155.5	30